

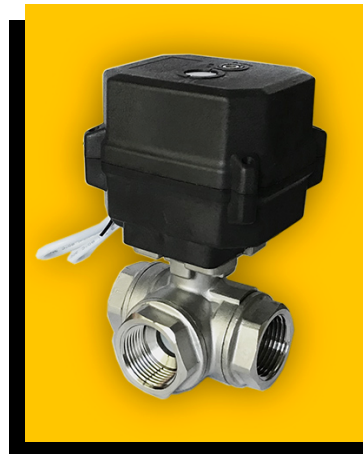
CAPACITOR RETURN 6S0122A-L

SIZE 1/2"

3-WAY Stainless Steel, standard port ball valve with electric actuator.

24VAC

15 Sec. Open/Close

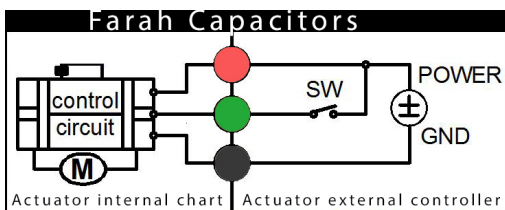


ACTUATOR

- NEMA 4, 4X Housing
- 12V/24V AC/DC and 100-240V AC Models Available
- High-Strength, Impact Resistant IP67 PPO Housing
- Comes standard with 19" cable

WIRING DIAGRAM

3 Wire control- Power Reset



- When the SW circuit is closed the valve will open. The actuator will automatically power off after in place.
- When the SW circuit is open the valve will close. The actuator will automatically power off after in place.

Suitable Working Voltage:

AC/DC 9-24V, DC/AC 110V-230V *

Exceeding the working voltage can potentially cause premature failure.

VALVE FEATURES

- Stainless Steel
- Standard Port, Sizes 1/2" to 1"
- Low torque design with capacitor return in case of power failure
- Energy efficient design reduces power consumption needs

MANUAL OVERRIDE



In case of an electric supply failure, it is possible to operate the actuator manually:

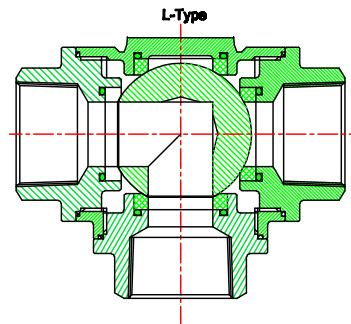
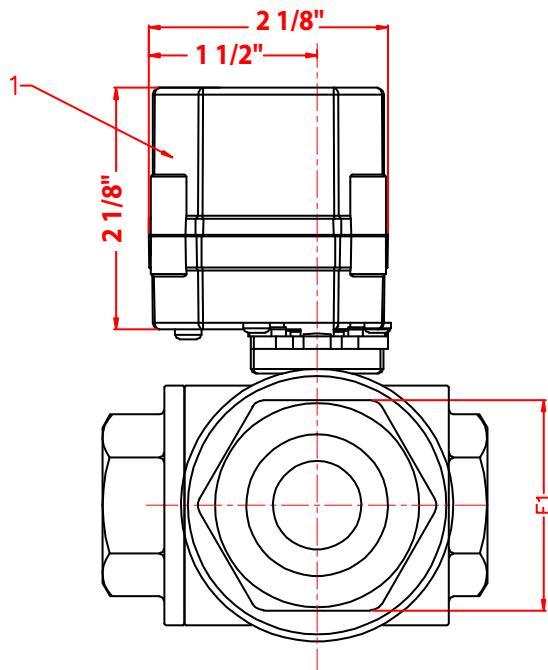
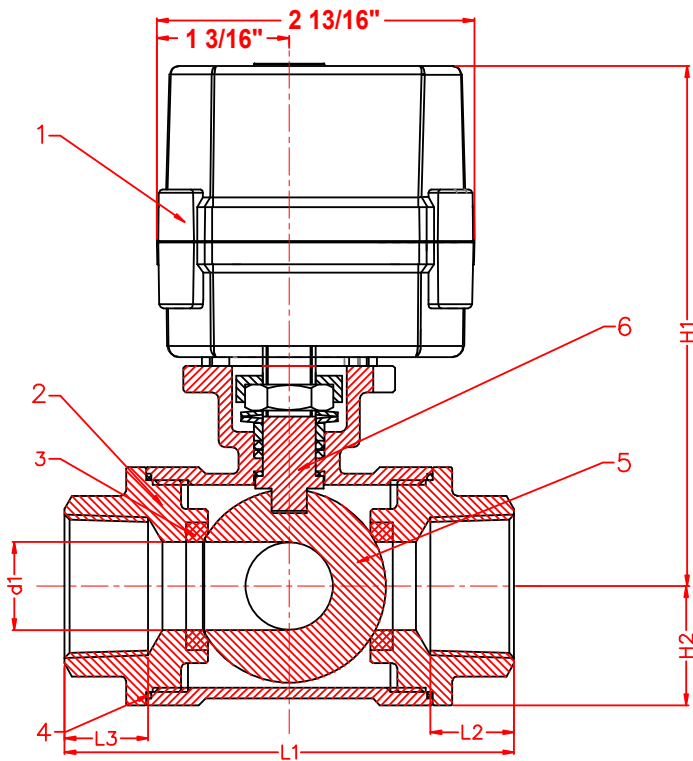
1. Power must be off before using the manual override.
2. Gently place the wrench provided into manual override hexagonal recess. Turn in a clockwise or counter clockwise direction to either open or close the valve.
3. When the red needle in the indicator points to S, the valve is closed. When pointing to O, the valve is open.
4. To resume normal operation simply remove the wrench and reapply power.

BILL OF MATERIALS

N.POS	PART NAME	MATERIAL	N. PCS
1	Actuator	PP0	1
2	Body Cover	304SS	1
3	Sealing	PTFE	1
4	Sealing	PTFE	2
5	Ball	304SS	1
6	Stem	304SS	1

DIMENSIONS

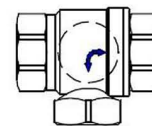
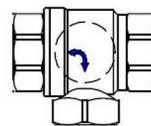
Size	D1/D2	d1±0.3	L1±1	L2±1	E1±0.5	H1±1	H2	L3
1/2"	1/2"	15/32"	2-51/64"	45/64"	63/64"	4-41/64"	45/64"	2-3/32"



L port

Position 1

Position 2



Flow Direction